

Product Ordering Information

EZIB-L **Flexco® Impact Beds** *All Bars - Light Duty*

Contact Flexco for information and pricing on shorter lead times and non-standard impact beds.
Please note that freight for all impact beds are ex-works



Flexco® Impact Bed Light Duty 1200mm

(for impact zones with less than 25 Kg-m energy)

BELT WIDTH mm	ORDERING NUMBER	ITEM CODE	WT. KG.
600	EZIB600-1200L-LP	68171	138.0
750	EZIB750-1200L-LP	68172	145.6
900	EZIB900-1200L-LP	68173	174.5
1050	EZIB1050-1200L-LP	68174	206.1
1200	EZIB1200-1200L-LP	68175	235.1
1350	EZIB1350-1200L-LP	68176	267.2
1500	EZIB1500-1200L-LP	68177	295.7
1800	EZIB1800-1200L-LP	68178	327.3

Lead time: 4 weeks

Flexco Impact Bed Light Duty 1500mm

(for impact zones with less than 25 Kg-m energy)

BELT WIDTH mm	ORDERING NUMBER	ITEM CODE	WT. KG.
600	EZIB600-1500L-LP	68179	153.7
750	EZIB750-1500L-LP	68180	161.3
900	EZIB900-1500L-LP	68181	194.2
1050	EZIB1050-1500L-LP	68182	229.7
1200	EZIB1500-1500L-LP	68183	262.8
1350	EZIB1350-1500L-LP	68184	298.8
1500	EZIB1500-1500L-LP	68185	331.1
1800	EZIB1800-1500L-LP	68186	366.8

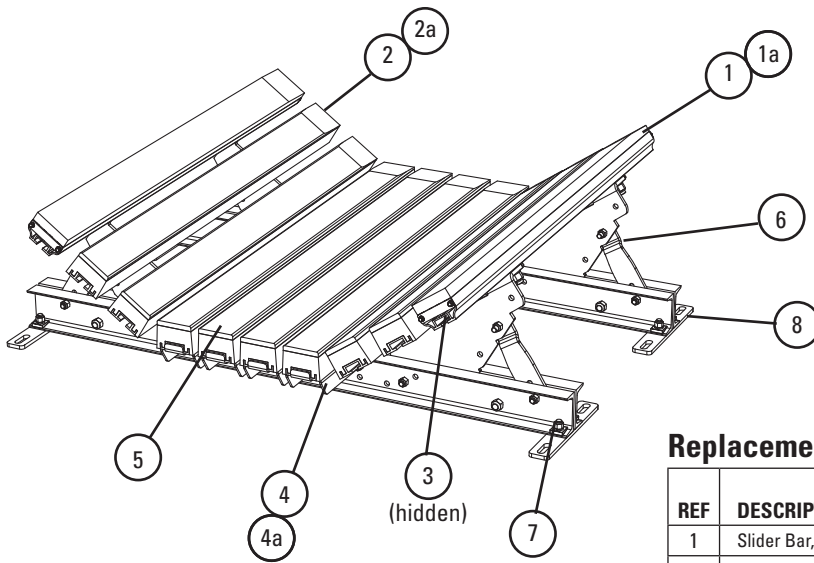
Lead time: 4 weeks

Product Notes:

- No need to specify troughing angle—designed to adjust to 20°, 35°, 45°.
- Outermost trough bar features 25mm solid UHMW slider bar to provide longer wear life and consistent load zone sealing where impact is not present.

Replacement Parts List

EZIB-L
Flexco® Impact Beds
 All Bars - Light Duty



Replacement Parts

REF	DESCRIPTION	ORDERING NUMBER	ITEM CODE	WT. KG.
1	Slider Bar, 1200mm	SB4	78789	9.1
1a	Slider Bar, 1500mm	SB5	78790	10.9
2	Impact Bar, 1200mm	IB4	76926	7.7
2a	Impact Bar, 1500mm	IB5	76927	9.5
3	Bar Bolt Kit (incl. 1 ea. 16mm carriage bolt, square washer, flat washer, lock washer, Nylock nut)	RIBBK	81250	0.2
4	Impact Bar Support - 1.2M*	EZBS-1200	82361	7.3
4a	Impact Bar Support - 1.5M*	EZBS-1500	82362	9.3
5	Centre Bar Mount Kit 600mm*	EZBMK-600	82281	2.4
	Centre Bar Mount Kit 750mm*	EZBMK-750	82282	2.6
	Centre Bar Mount Kit 900mm*	EZBMK-900	82283	3.4
	Centre Bar Mount Kit 1050mm*	EZBMK-1050	82284	3.6
	Centre Bar Mount Kit 1200mm*	EZBMK-1200	82285	4.4
	Centre Bar Mount Kit 1350mm*	EZBMK-1350	82286	4.8
	Centre Bar Mount Kit 1500mm*	EZBMK-1500	82287	5.6
6	Centre Bar Mount Kit 1800mm*	EZBMK-1800	82288	6.6
	Wing Plate Kit 600mm*	EZWPK-600	82345	7.7
	Wing Plate Kit 750mm*	EZWPK-750	82346	7.9
	Wing Plate Kit 900mm*	EZWPK-900	82347	9.6
	Wing Plate Kit 1050mm*	EZWPK-1050	82348	11.9
	Wing Plate Kit 1200mm*	EZWPK-1200	82349	13.7
	Wing Plate Kit 1350mm*	EZWPK-1350	82350	16.1
	Wing Plate Kit 1500mm*	EZWPK-1500	82351	17.7
7	Wing Plate Kit 1800mm*	EZWPK-1800	82352	21.2
	Cross Stringer Kit 600mm*	EZRKL-600	68368	22.3
	Cross Stringer Kit 750mm*	EZRKL-750	68369	25.6
	Cross Stringer Kit 900mm*	EZRKL-900	68370	28.9
	Cross Stringer Kit 1050mm*	EZRKL-1050	68371	32.1
	Cross Stringer Kit 1200mm*	EZRKL-1200	68372	35.6
	Cross Stringer Kit 1350mm*	EZRKL-1350	68373	38.9
8	Cross Stringer Kit 1500mm*	EZRKL-1500	68374	42.2
	Cross Stringer Kit 1800mm*	EZRKL-1800	68375	45.0
8	Shim Kit Light Duty (incl. 4 shims)	SHIM-LDKIT	82393	6.2

*Hardware Included. Lead time: 4 weeks.

Replacement Quantities for EZIB-L

mm		600	750	900	1050	1200	1350	1500	1800
BARS REQUIRED	SLIDER	2	2	2	2	2	2	2	2
	IMPACT	4	4	5	7	8	10	11	12
BAR BOLT KITS REQUIRED		14	14	17	21	24	28	31	34
BAR SUPPORTS REQUIRED		2	2	3	3	4	4	5	6

Product Ordering Information

EZIB-M **Flexco® Impact Beds** *All Bars - Medium Duty*

Contact Flexco for information and pricing on shorter lead times and non-standard impact beds.
Please note that freight for all impact beds are ex-works



Flexco® Impact Bed Medium Duty 1200mm

(for impact zones with 25-100 Kg-m energy)

BELT WIDTH mm	ORDERING NUMBER	ITEM CODE	WT. KG.
600	EZIB600-1200M-LP	68187	185.7
750	EZIB750-1200M-LP	68188	197.1
900	EZIB900-1200M-LP	68189	214.7
1050	EZIB1050-1200M-LP	68190	269.9
1200	EZIB1500-1200M-LP	68191	305.2
1350	EZIB1350-1200M-LP	68192	343.8
1500	EZIB1500-1200M-LP	68193	361.1
1800	EZIB1800-1200M-LP	68194	382.9

Lead time: 4 weeks

Flexco Impact Bed Medium Duty 1500mm

(for impact zones with 25-100 Kg-m energy)

BELT WIDTH mm	ORDERING NUMBER	ITEM CODE	WT. KG.
600	EZIB600-1500M-LP	68195	205.3
750	EZIB750-1500M-LP	68196	216.6
900	EZIB900-1500M-LP	68197	234.3
1050	EZIB1050-1500M-LP	68198	297.4
1200	EZIB1500-1500M-LP	68199	336.7
1350	EZIB1350-1500M-LP	68200	379.3
1500	EZIB1500-1500M-LP	68201	396.6
1800	EZIB1800-1500M-LP	68202	461.0

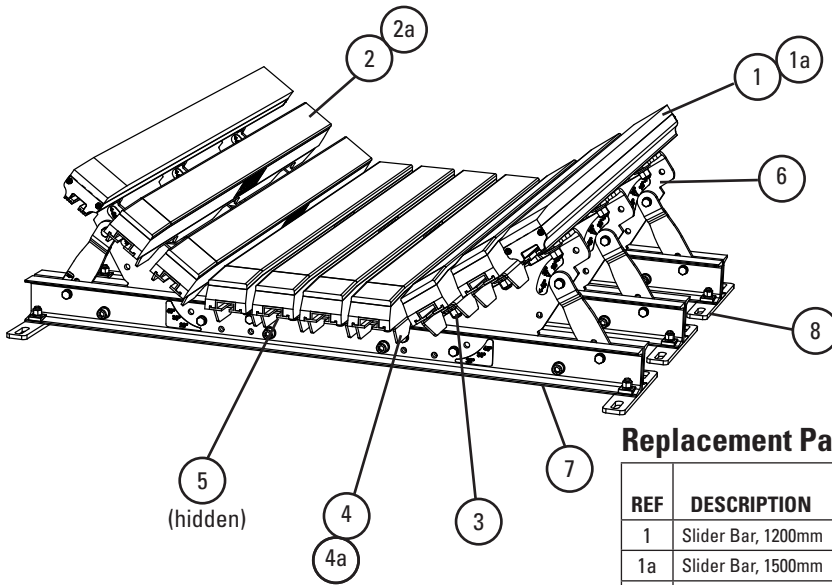
Lead time: 4 weeks

Product Notes:

- No need to specify troughing angle—designed to adjust to 20°, 35°, 45°.
- Outermost trough bar features 25mm solid UHMW slider bar to provide longer wear life and consistent load zone sealing where impact is not present.

Replacement Parts List

EZIB-M
Flexco® Impact Beds
 All Bars - Medium Duty



Replacement Parts

REF	DESCRIPTION	ORDERING NUMBER	ITEM CODE	WT. KG.
1	Slider Bar, 1200mm	SB4	78789	9.1
1a	Slider Bar, 1500mm	SB5	78790	10.9
2	Impact Bar, 1200mm	IB4	76926	7.7
2a	Impact Bar, 1500mm	IB5	76927	9.5
3	Bar Bolt Kit (incl. 1 ea. 16mm carriage bolt, square washer, flat washer, lock washer, Nylock nut)	RIBBK	81250	0.2
4	Impact Bar Support - 1200mm*	IBS-M1200	82397	7.7
4a	Impact Bar Support - 1500mm*	IBS-M1500	82398	9.6
5	Centre Bar Mount Kit 600mm*	EZBMK-600	82281	2.4
	Centre Bar Mount Kit 750mm*	EZBMK-750	82282	2.6
	Centre Bar Mount Kit 900mm*	EZBMK-900	82283	3.4
	Centre Bar Mount Kit 1050mm*	EZBMK-1050	82284	3.6
	Centre Bar Mount Kit 1200mm*	EZBMK-1200	82285	4.4
	Centre Bar Mount Kit 1350mm*	EZBMK-1350	82286	4.8
	Centre Bar Mount Kit 1500mm*	EZBMK-1500	82287	5.6
	Centre Bar Mount Kit 1800mm*	EZBMK-1800	82288	6.6
6	Wing Plate Kit 600mm*	EZWPK-600	82345	7.7
	Wing Plate Kit 750mm*	EZWPK-750	82346	7.9
	Wing Plate Kit 900mm*	EZWPK-900	82347	9.6
	Wing Plate Kit 1050mm*	EZWPK-1050	82348	11.9
	Wing Plate Kit 1200mm*	EZWPK-1200	82349	13.7
	Wing Plate Kit 1350mm*	EZWPK-1350	82350	16.1
	Wing Plate Kit 1500mm*	EZWPK-1500	82351	17.7
	Wing Plate Kit 1800mm*	EZWPK-1800	82352	21.2
7	Cross Stringer Kit 600mm*	EZRKL-600	68368	22.3
	Cross Stringer Kit 750mm*	EZRKL-750	68369	25.6
	Cross Stringer Kit 900mm*	EZRKL-900	68370	28.9
	Cross Stringer Kit 1050mm*	EZRKL-1050	68371	32.1
	Cross Stringer Kit 1200mm*	EZRKL-1200	68372	35.6
	Cross Stringer Kit 1350mm*	EZRKL-1350	68373	38.9
	Cross Stringer Kit 1500mm*	EZRKL-1500	68374	42.2
	Cross Stringer Kit 1800mm*	EZRKL-1800	68375	45.0
8	Shim Kit Medium Duty (incl. 4 shims)	SHIM-MDKIT	82394	9.3

*Hardware Included. Lead time: 4 weeks.

Replacement Quantities for EZIB-M

mm		600	750	900	1050	1200	1350	1500	1800
BARS REQUIRED	SLIDER	2	2	2	2	2	2	2	2
	IMPACT	4	4	5	7	8	10	11	12
BAR BOLT KITS REQUIRED		26	26	31	37	42	48	53	58
BAR SUPPORTS REQUIRED		4	4	5	5	6	6	7	8